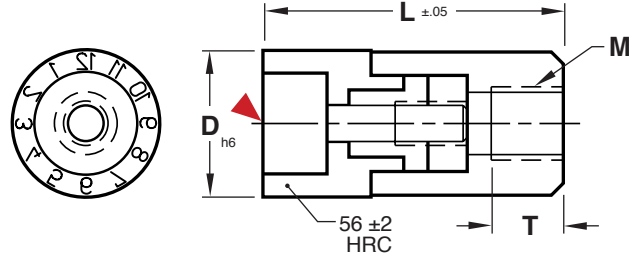
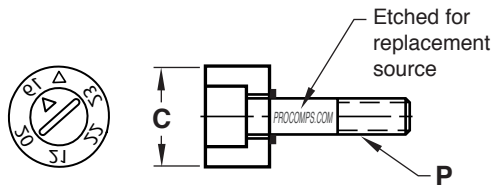


# DATE STAMPS

## MULTI-DATERS



### PLUGS



**M** 1.4034 **H** 54-58 HRC

CATALOG NUMBER	C	Slot Depth	P	Engraving Depth (Arrow)
<b>DMDP06-19</b>	4.2	0.4	M1.6x0.2	0.10
<b>DMDP08-19</b>	5.8	0.4	M2.5x0.35	0.10
<b>DMDP10-19</b>	7.0	0.4	M2.5x0.35	0.10
<b>DMDP12-19</b>	8.5	0.6	M3.0x0.5	0.20
<b>DMDP16-19</b>	11.5	0.6	M3.0x0.6	0.25



**Years & Months** plug style is featured in the table above.

### RINGS



CATALOG NUMBER	D	L	M	T	Engraving Depth
<b>DMD06</b>	6	17	M3 x 0.5	3	0.10
<b>DMD08</b>	8	20	M4 x 0.7	4	0.12
<b>DMD10</b>	10	20	M5 x 0.8	4	0.13
<b>DMD12</b>	12	25	M6 x 1.0	6	0.20
<b>DMD16</b>	16	33	M8 x 1.25	8	0.25



**Months** ring style is featured in the table above.

CAD insertion point

**Additional Plug and Ring Options:** Specify catalog number as shown below for the different style plugs and rings.

#### Plug Styles: Recessed Lettering



##### Arrow & 5 Years

Cat #: DMDP-Diam-Starting Year\*-5  
Ex.: DMDP06-195



##### Arrow & 11 Years

Cat #: DMDP-Diam-Starting Year\*-11  
Ex.: DMDP06-1911

#### Ring Styles: Recessed Lettering



##### Days

Cat #: DMDL-Diam  
Ex.: DMDL06



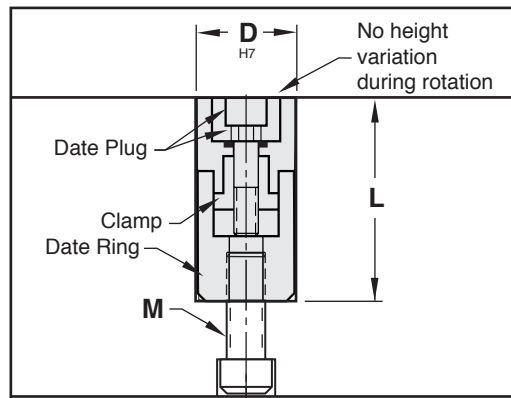
##### Weeks

Cat #: DMDW-Diam  
Ex.: DMDW06

\*Where years are specified, any year can be ordered by changing the suffix. Example DMDP10-20 or DMDP06-21.

Special configurations are available.  
Contact Customer Service for more information.

#### Installation Guidelines:



Maximum mold temperature: 450° F (230° C)